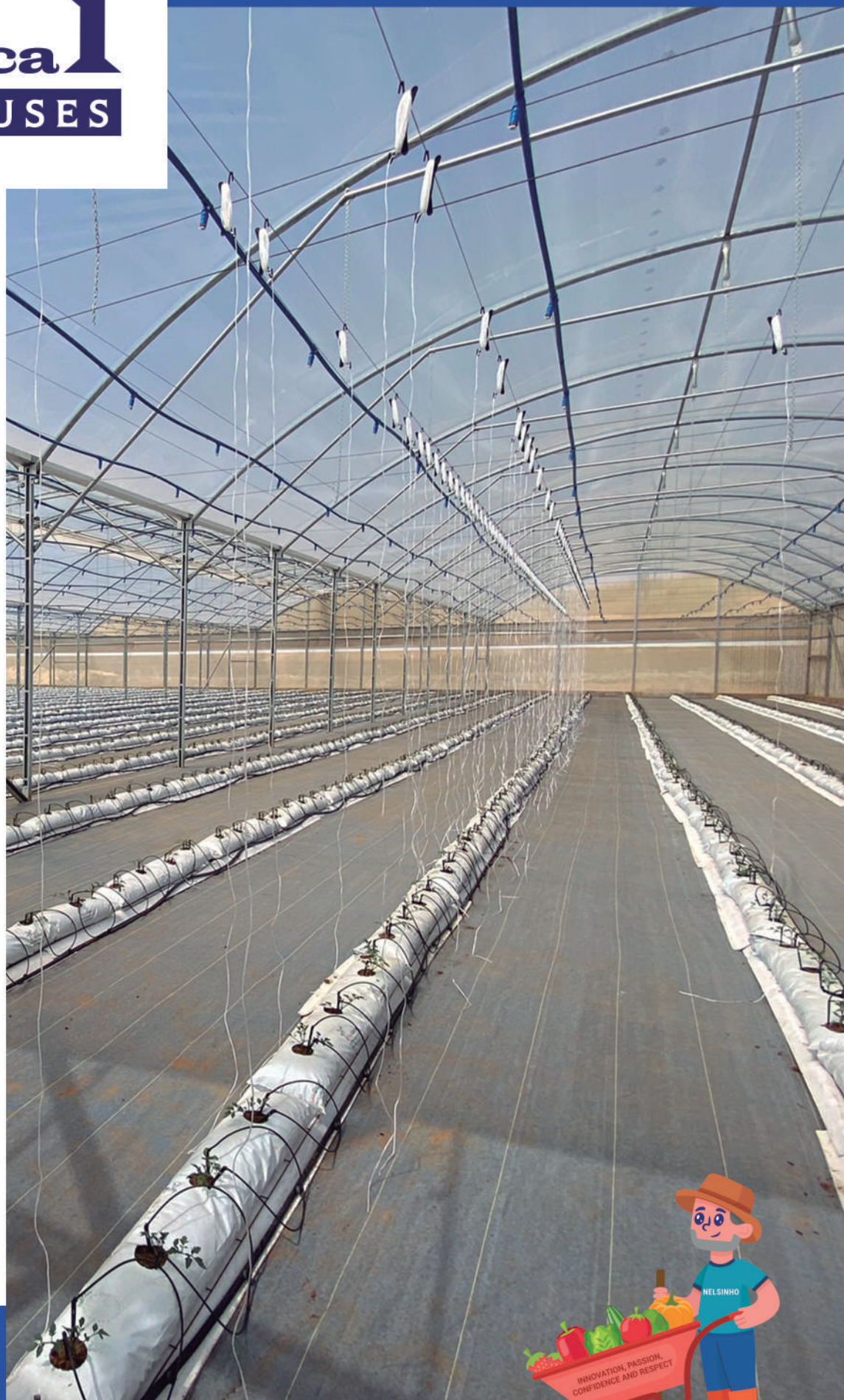


SOLUTIONS FOR YOUR GROWTH!



CATALOG
PRODUCTS AND SERVICES



OUR COMPANY

Founded in 1996, we believed in and continued the dream that started in 1984 by Agroestufa/Agroflora, of the extinct CAC group.

With experience acquired over the years, since the first steps of Brazilian plastic culture, our company reaches the present day rejuvenated, with vigor, knowledge and credibility, standing out among the main ones industries in the segment in Brazil.

Through the elaboration of projects, manufacture and assembly of agricultural greenhouses and their inputs, carried out by a team of own collaborators formed by Tropical, we feel confident in offering the plasticultor market, especially for horticulture, a range of products and services that seek full satisfaction of our customers.

With environmental and social responsibility, we operate in activities related to protected cultivation, serving the national and international markets, contributing to the development of Brazil.



WWW.TROPICALINVERNADEROS.COM

COVERAGE NATIONAL AND INTERNATIONAL

TROPICAL IS ALWAYS
EXPANDING
ITS COVERAGE!

WE CURRENTLY ATTEND:

- ALL BRAZILIAN TERRITORY
- SOUTH AMERICA
- AFRICA



TURNKEY PROJECT



The Turnkey Project encompasses the Complete Projects Tropical Greenhouses, where when choosing this differential of ours, the customer has the ease of, only needing to provide us with the basic information for project development, all the rest is on us! We take care of everything from planning to installation for the customer, leaving the greenhouse ready and complete for planting.

EURO GREENHOUSE



TECHNICAL ADVISOR



Discover the latest in agricultural greenhouses, together with the advantage of MORE FOR LESS. The Euro is an exclusive model by Tropical designed and developed to optimize work and internal space. Counting on excellent durability, proven resistance, modern flux zinc galvanizing system and great cost benefit.

Perfect for you thinking about starting or even expanding your production area. We have a specialized department formed entirely by Technicians and Agronomists ready to assist you in the implementation and feasibility of any project.

ENGINEERING DEPARTMENT



Engineering team specialized in greenhouse projects and providing full-time consultancy, thus guaranteeing us safety, solidity and tranquility for the execution of the required projects.

ASSEMBLY TEAM



Our assembly part is performed by Tropical professionals qualified to work at heights, but if the project includes assembly with local labor, guarantee the quality and safety of the execution with our team of Specialized Assembly Technicians to monitor your work.

- 07 GREENHOUSE EURO**
- 08 EURO LANTER | PLATINUM**
- 09 GREENHOUSE PREMIUM**
- 10 GREENHOUSE SIERRA | ZENITAL**
- 11 GREENHOUSE SPANISH | AGRIFAMILIAR**
- 12 GREENHOUSE SHRIMP FARM**
- 13 TROPWOOD | TROP TULIPA**
- 14 MACROTUNNELS | CAGE | SCREENS**
- 15 GREENHOUSE FOR DRYING**
- 15 GREENHOUSE FOR DRYING OF COCOA**
- 16 HYDROPONICS PROJECTS**
- 17 IRRIGATION**
- 19 CLIMATIZATION**
- 20 CUSTOM PROJECTS**
- 21 ROOFING**
- 22 MINI GREENHOUSES**
- 23 VIRTUAL STORE**



IDEAL SOLUTION FOR THE MOST DIVERSE SEGMENTS



HORTICULTURE



FLORICULTURE



REFORESTATION



DRYING



**AQUATIC
CULTURE**



RESEARCH



CITRICULTURE



**GARDEN
CENTERS**



SHELTERS

EURO Agricultural Greenhouse, the structure with the highest technology in the national market. Designed for the best optimization of the internal space of the structure (allowing a greater number of plants per m²), together with the best cost benefit of the product. Structure available in 2 widths, with 10.00m and 12.80m in free spans, with the possibility of twinned and without length limit. Project also with the possibility of installing our "MARIPOSA System", which would be a mobile opening at the top of the arch, aiming at greater ventilation of the environment if necessary.



- Free spans of 10.00m and 12.80m, without intermediate posts.
- 100% galvanized material.
- Greater wind resistance.
- Workspace optimization, better yield per m².
- Structural calculation with ART - Own Engineer.



(L) Widths

10,00m ou 12,80m

(E) Internal Spacing

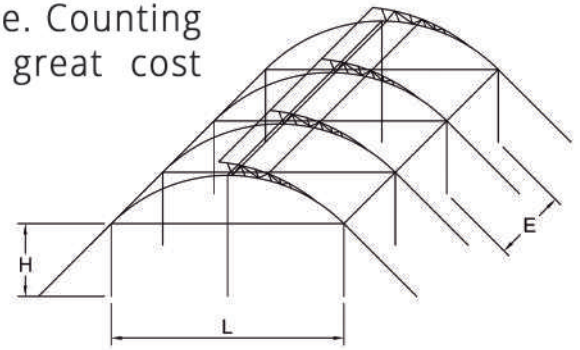
4,00m

(H) Height

2,20m a 5,00m

FOR CUSTOM SIZES, CONSULT OUR BUSINESS TEAM

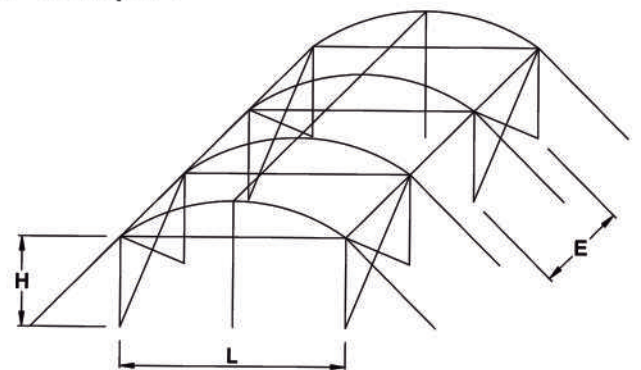
An EXCLUSIVE project PATENTED by Tropical Estufas, designed and developed to optimize work and internal space. Counting on excellent durability, proven resistance and great cost benefit!



PLATINUM

Combining RESISTANCE and COST BENEFIT, it is a UNIQUE and EXCLUSIVE project by Tropical Estufas!

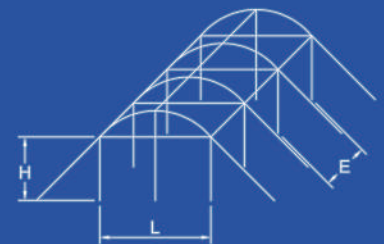
- Free spans of 10.00m;
- 3 inch arc;



PREMIUM Agricultural Greenhouse is the ideal model for those looking for a safe, personalized and high standard project for their agricultural cultivation. With our Premium Greenhouses, we are able to offer the best in greenhouse technology and high quality material, always aiming at the best benefit of the customer's cultivation.



- Multipurpose
- High resistance greenhouse
- Various possibilities in "widths"
- Possibility of installing wooden posts



(L) Widths

5,00m a 8,00m

(E) Internal Spacing

3,00m

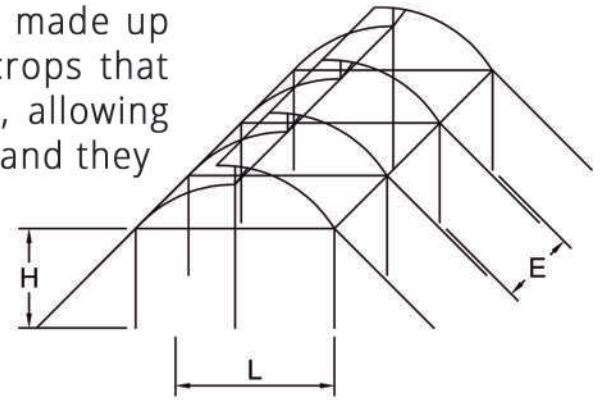
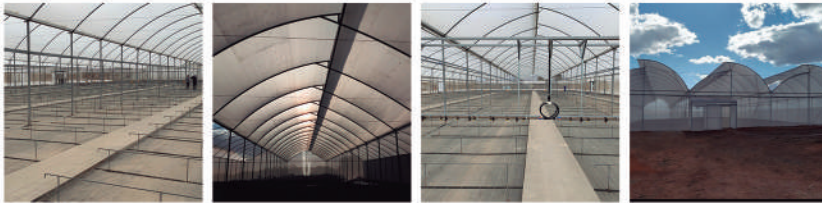
(H) Height

2,20 a 5,00m

FOR CUSTOM SIZES, CONSULT OUR BUSINESS TEAM

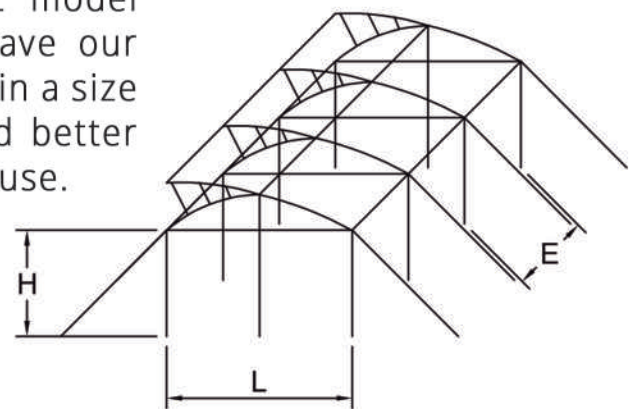
LANTERNIN ZENITAL

The LANTERNIN ZENITAL Agricultural Greenhouse is made up of a 0.50m or 0.80m Zenital opening, specific for crops that need constant air exchange inside the greenhouse, allowing for less heat retention inside. Mainly in hot regions, and they still make use of anti-aphid screens.

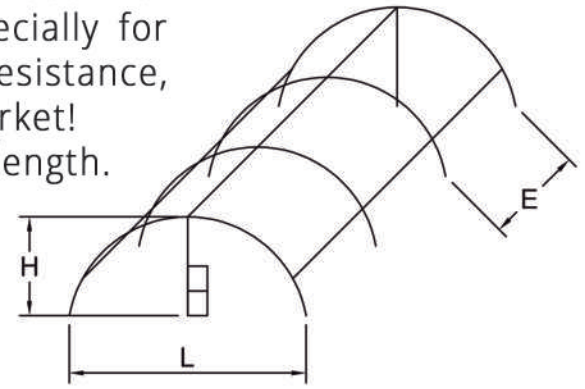


GREENHOUSE SIERRA

If the opening available in the "LANTERNIN ZENITAL" model is still too small for your region or crop, we have our "SIERRA" structure model, which offers its opening in a size of 1.50m also for very hot regions, and that need better circulation and exchange of air inside the greenhouse.

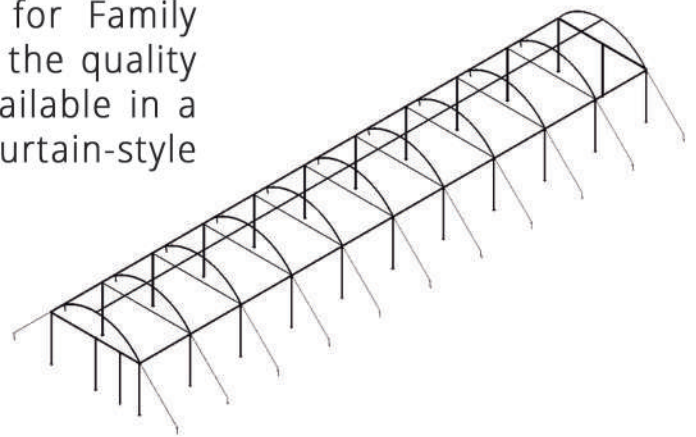


SPANISH Agricultural Greenhouse, our new model of Agricultural Greenhouse thought and designed especially for you who are looking for a product of trust, quality, resistance, and still with an EXCELLENT COST BENEFIT in the market! Greenhouse available in 9.60m width and unlimited length.

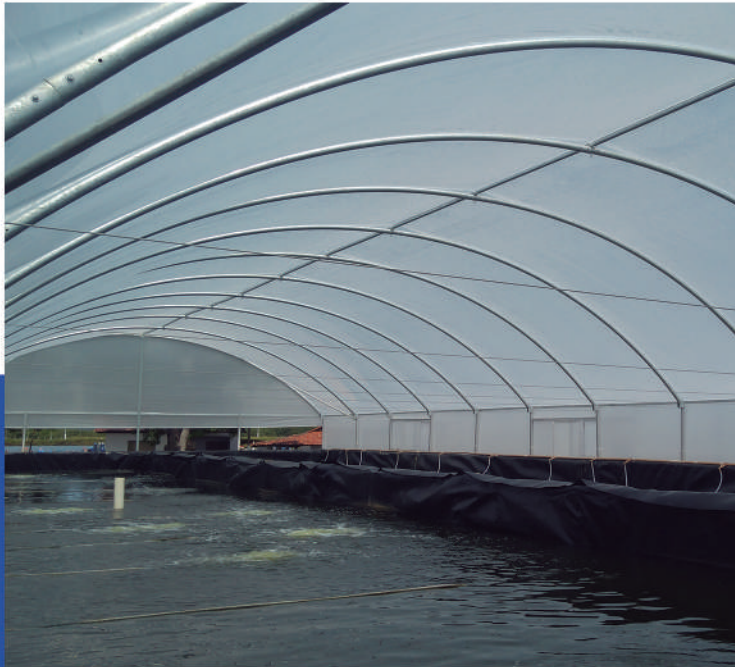


GREENHOUSE AGRIFAMILIAR

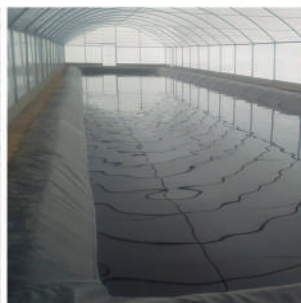
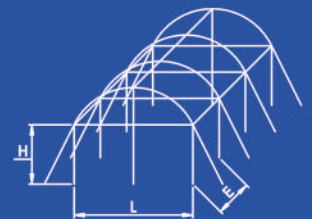
An agricultural greenhouse model designed for Family Farming, with excellent cost-effectiveness and the quality that only Tropical can offer! AgriFamiliar is available in a width of 5.20m and a height of 2.20m, with a curtain-style door.



Our SHRIMP FARM Structures are fully designed and prepared especially for aquatic cultivation, in the lines of Ranaries, Shrimp Farming, Hatcheries or Nursery tanks and fish fattening in general. We continue to develop responsibly and consciously, always aiming to reduce and minimize the risks of this culture.



- Own structure for hostile environments.
- 100% hot dip galvanized material
- Improved breeding of the species due to ambient temperature after implementation
- Coverage designed ESPECIALLY for Aquatic Crops
- Possibility of customizing measurements according to need.



(L) Widths

11,00m

(E) Internal Spacing

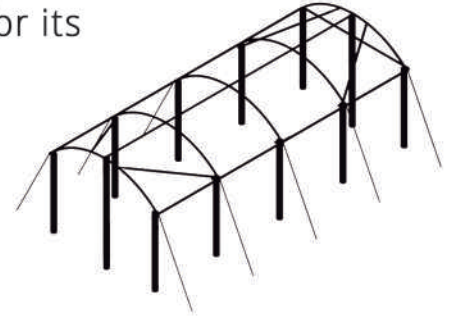
4,00m

(H) Height

0,5m a 5,00m

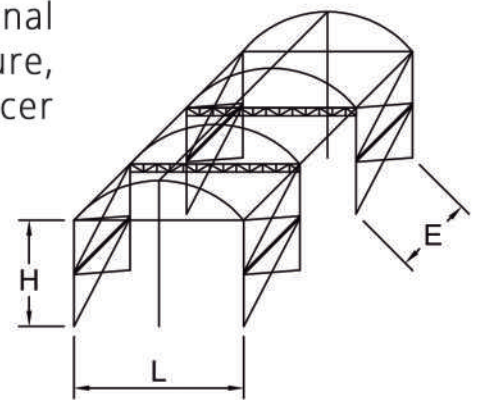
FOR CUSTOM SIZES, CONSULT OUR BUSINESS TEAM

A project that unites the cost-benefit advantage of wooden posts, together with the quality of Tropical Estufas' metal projects, with a resistant structure designed on demand for its cultivation.

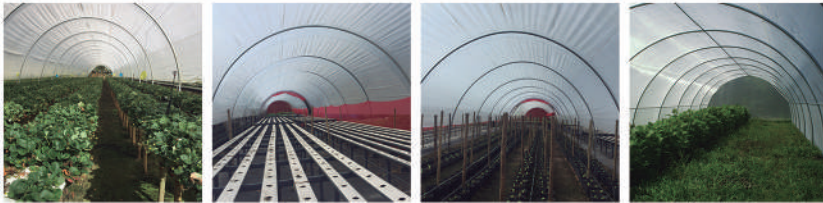
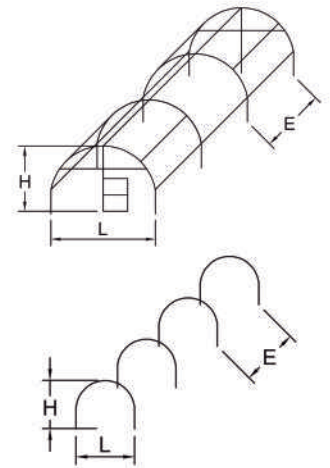


TROP TULIPA

The TROP TULIPA model by Tropical Estufas has internal trusses, bringing greater resistance to the structure, without the need for lateral ties, that is, the producer manages to make the most use of the area.

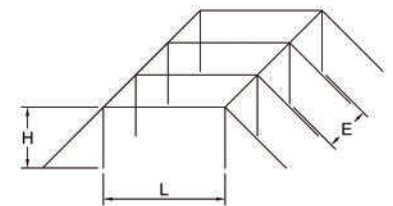


Perfect to protect the internal environment, product of easy installation with availability of disassembly and assembly as needed, excellent durability of structure, available for any culture and terrain.



SCREEN

Screen models have a fixed structure and cover developed in shading screens, which can be selected from the most varied options of meshes and screen colors, thus enabling an ideal screen cover according to your type of cultivation.



GREENHOUSE FOR DRYING

Given the demand for solar dryer structures, Tropical develops specific projects for various purposes, ranging from the drying of agricultural grains and fruits, to the drying of industrial waste, regardless of factors arising from the same salinity, gases or other agents.



GREENHOUSE FOR DRYING COCOA

Oven model developed especially for drying cocoa, where the biggest advantage is in the composition of the oven, designed and developed to carry out drying with the use of sun and wind, and no longer using conventional dryers that use firewood, which end up smoking the almond, reducing its commercial value.

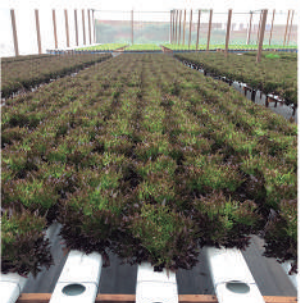


The NFT hydroponic system provides advantages to the producer, such as a reduction in the cycle compared to the open field; there is no competition with weeds; Greater ergonomics; Less use of water; Greater use of fertilizers; between others.

In the hydroponic cultivation system, the plants are kept in greenhouses covered with agricultural film and suspended in HDPE channels through which the nutrient solution runs, which constantly bathes the roots.



- Own Hydroponics Designer
- Tailor-made project for your Greenhouse
- Already Spaced Hydroponics Profiles



Irrigation is an ancient technique that aims to provide water to plants so that they can produce properly. The technique, over the centuries, has been improved, reaching the present day to punctual systems, where water is dripped at the right time, place and amount for the development of plants.

- **Irrigation bar:** Automated system whose main feature is to ensure uniform application of water and inputs, as it is used in large areas of seedling cultivation where it is essential to guarantee the uniformity of plants destined for field cultivation and thus obtain their maximum yield. The use of the Barra allows the optimization of water resources, inputs and labor, improving the entire production process.



- **Drip (Drip Tube):** System that provides high efficiency in the use of water with directing the drop, in addition to the fact that there is no wetting of leaves during irrigation, reducing the risks of foliar diseases. The tube is manufactured with the dripper welded internally having an internal "labyrinth" to reduce clogging cases, it can be used buried or under the ground surface.



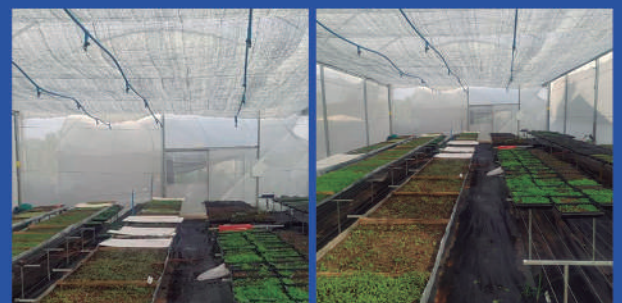
- **Drip (Stake):** System that shares many of the advantages of the drip tube, its differential is to direct the drip site with greater precision, improving the distribution of the wet bulb, reducing problems related to uneven roots and salinity of the substrate caused by fertigation. Widely used for growing in pots and each dripper can have up to 4 outlets with the use of an adapter.



- **Micro Sprinkler:** The system emerged as an alternative to dripping, with the objective of increasing the area wetted by an emitter, which is desirable for very permeable soils. Widely used in protected cultivation for wetting seedling benches in general, flowers and vegetables, in addition to being less susceptible to clogging and less demanding in water filtration.



- **Nebulization:** A system similar to micro-sprinkling, but using emitters that operate at high operating pressures, resulting in finer droplets. It is used in seedling germination and irrigation benches, but its use is still more recurrent with the objective of controlling temperature and humidity in protected environments.



If the project demands better air circulation systems, or greater control of solar rays, we also have the ideal solutions to meet your project. At Tropical Estufas we develop windows, shading systems and mobile curtains, all according to the needs of your cultivation, and tailored to your project.

- **PadFan:** The evaporative air cooling system, panel-exhaust type (pad-fan), is based on an adiabatic humidification process that consists of forcing, by means of exhaust fans, the passage of external air to the installation through a panel of porous material moistened with water.



- **Shading:** The Internal Shading systems of Agricultural Greenhouses are intended to achieve an ideal climate for crops, helping to create an ideal microclimate for the most diverse cultures. Tailor-made systems for your Greenhouse and Cultivation!



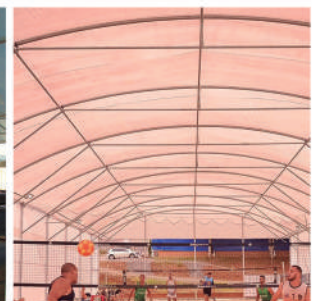
- **Windows:** The function of the windows is to assist in the exchange of internal air in the greenhouse, reducing the temperature and improving the quality of the air due to the exchanges! The windows can still be activated manually or motorized.



If the project demands the need for specific measures or customization, we also meet the need! With a highly qualified internal engineering team for the development of projects as such, we ensure and guarantee the execution of your project.



- Tailor-made customizations
- Structures with up to 25m in free spans
- Project developed by own engineers and with ART



Various covers and shelters for: vehicles, machines, equipment, fruit sorting area, rest areas, fixed and temporary shelters, feeders, and much more! Request a quote without commitment and learn about the solutions we have to serve you!



- Extremely Resistant
- Easy Installation
- Great Value for Money



Do you like to grow as a hobby or do you need a smaller project? Then meet our models of mini greenhouses with pre-defined sizes! We have a wide variety of models, and each one with a specific differential for you! 100% metal and hot dip galvanized greenhouses!



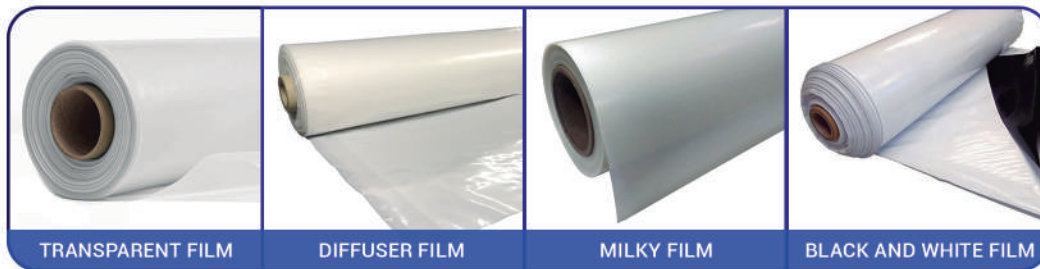
- Easy installation
- Compact size
- Projects with or without integrated irrigation



OUR VIRTUAL STORE

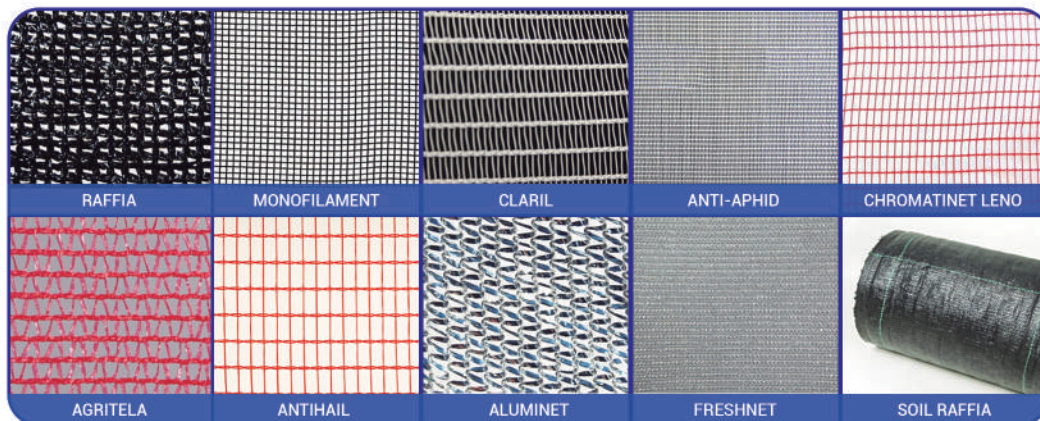
SOME OF OUR PRODUCTS

AGRICULTURAL FILMS



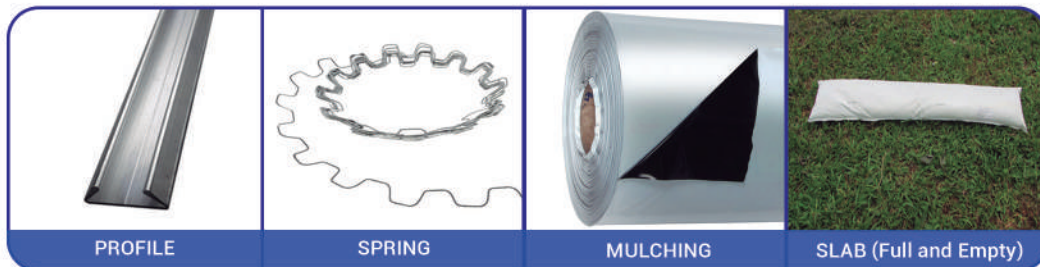
CONSULT US FOR AVAILABLE SPECIFICATIONS AND SIZES OF EACH MODEL

AGRICULTURAL SCREENS



CONSULT US FOR AVAILABLE SPECIFICATIONS AND SIZES OF EACH MODEL

ACCESSORIES



CONSULT US FOR AVAILABLE SPECIFICATIONS AND SIZES OF EACH MODEL

INPUTS



CONTACT US FOR SPECIFICATIONS OF EACH ITEM

WWW.LOJATROPICALINVERNADEROS.COM



MATRIZ

AV. RADAMÉS LO SARDO N° 542

DIST. INDUSTRIAL III | BRAGANÇA PAULISTA/SP

11 4035-7344 | 11 9 9929-4116

INSUMOS BRAGANÇA

AV. DOS IMIGRANTES N° 5.034

DIST. INDUSTRIAL III | BRAGANÇA PAULISTA/SP

11 4035-6147

INSUMOS TERESÓPOLIS

ESTRADA TERESÓPOLIS-FRIBURGO KM28

BONSUCESSO | TERESÓPOLIS/RJ

21 3790-1287

INSUMOS VENDA NOVA

BR262 KM102

TAPERA | VENDA NOVA DO IMIGRANTE/ES

27 99887-2331

INSUMOS HOLAMBRA

ESTRADA TERESÓPOLIS-FRIBURGO KM28

BONSUCESSO | HOLAMBRA/SP

19 99605-7592



TROPICAL ESTUFAS



TROPICAL GREENHOUSES



TROPICALESTUFAS



TROPICAL_GREENHOUSES

WWW.TROPICALINVERNADEROS.COM